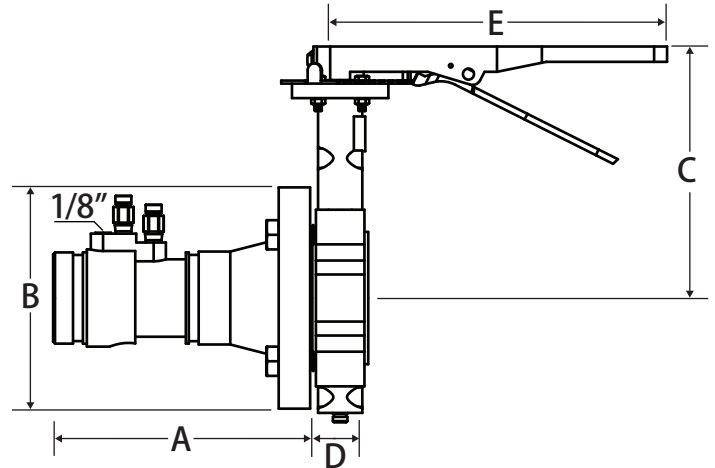


Manual Balancing Valve

Fixed Orifice • Isolation Butterfly Valve • Lug x Groove Connection
• Class 150



Terminator B Lug x Groove



DIRECTION OF FLOW →

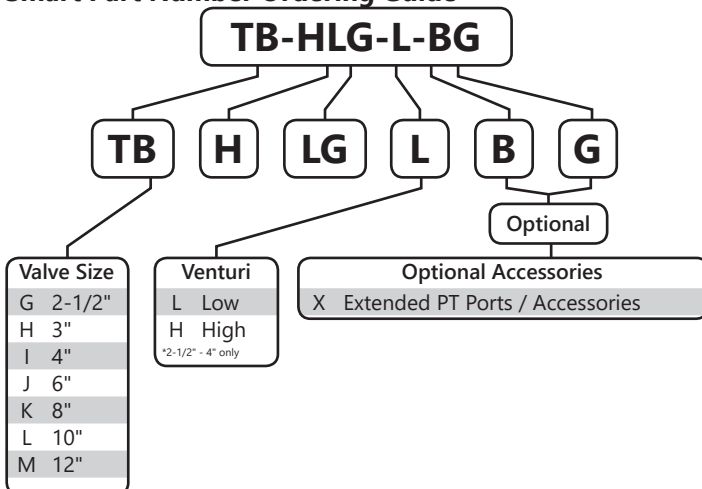
Features

- +/- 1% Accuracy
- Two pressure / temperature (PT) test ports
- Location tag
- Additional accessory tap
- Ten-position lockable lever handle
- Class 150 Flange
- 100% leak tested
- 5 straight pipe diameters are required upstream of balance valve
- 2-1/2 straight pipe diameters are required downstream of balance valve
- See end of catalog for pressure drop charts

Pressure and Temperature Rating

- 200 WOG
- 225°F Max

Smart Part Number Ordering Guide



Material Specifications

Part	Material
Venturi Body	Carbon Steel - ASTM 126
Flange	Carbon Steel - ASTM 126
Butterfly Valve	(See Butterfly Valve Spec Sheet)

Dimensions

Size	A	B	C	D	E
2-1/2"	8.00	7.00	7.6	1.76	10.64
3"	8.28	7.50	8.15	1.78	10.64
4"	9.22	9.00	8.39	2.05	10.64
6"	11.25	11.00	9.13	2.2	10.64
8"	12.6	13.50	10.16	2.39	14.18
10"	16.3	16.00	11.85	2.58	19.70
12"	17.00	19.00	13.11	3.03	19.70



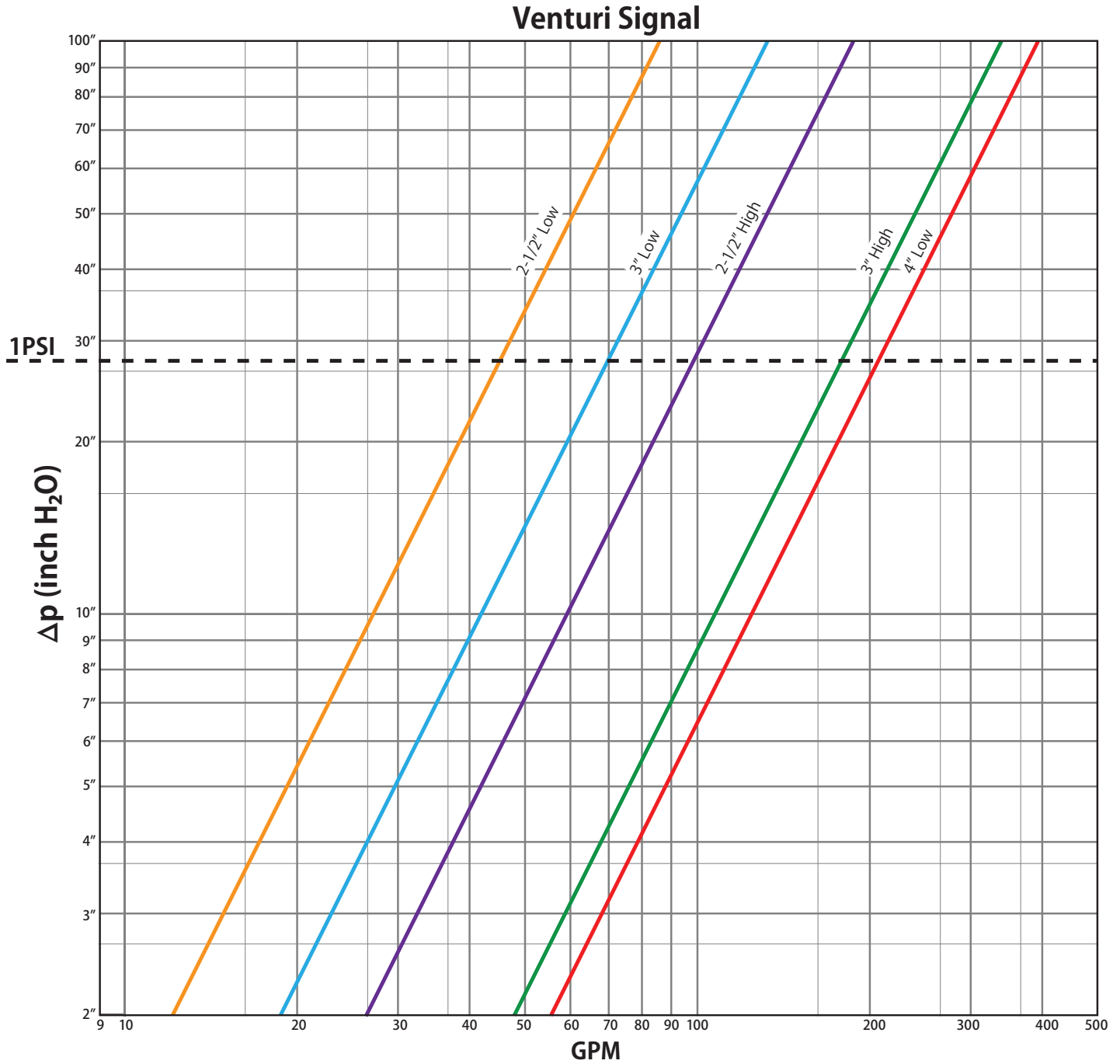
WARNING: This product can expose you to chemicals including lead, which is known to the State of California to cause cancer, and lead, which is known to the State of California to cause birth defects or other reproductive harm. For more information go to www.P65Warnings.ca.gov.

Pressure Drop Chart



Terminator B (2-1/2" - 4")

Permanent pressure loss is 6% of the differential pressure



Pressure Drop Chart



Terminator B (6" - 12")

Permanent pressure loss is 6% of the differential pressure

Venturi Signal

