

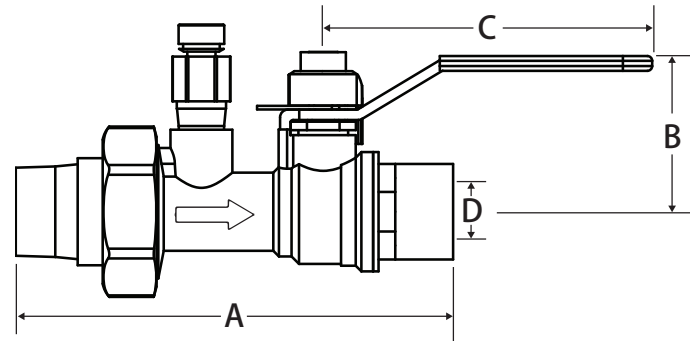
Manual Balancing Valve



Fixed Orifice • Isolation Ball Valve • Memory Stop • Union •
600 WOG



Terminator B



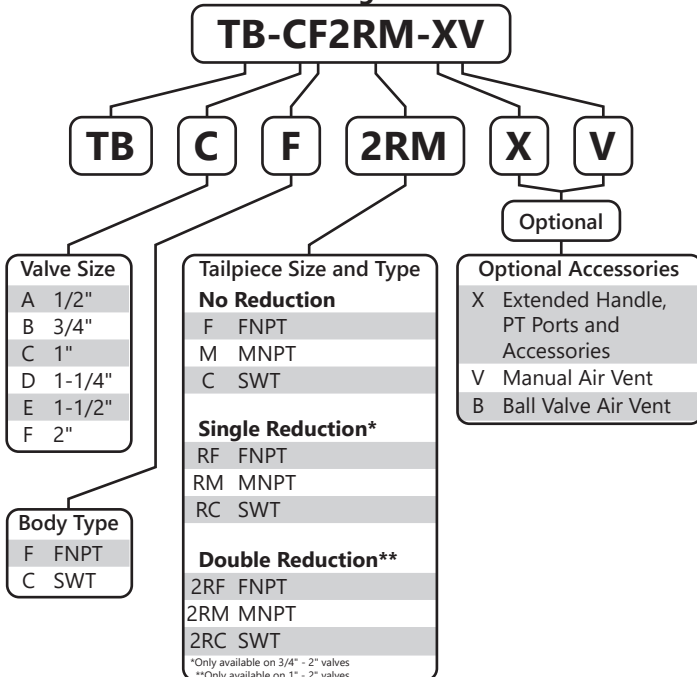
Features

- Patented removable venturi
- +/- 2% Accuracy
- Two pressure / temperature (PT) test ports
- Location tag
- Additional accessory tap
- Triple sealing stem with 2 Viton® o-rings and Teflon® seal
- Blow out proof stem
- 100% leak tested
- Made in Italy
- Leakproof stem - Lifetime warranty
- See end of catalog for pressure drop charts

Pressure and Temperature Rating

- 600 WOG
- 325°F Max

Smart Part Number Ordering Guide



Material Specifications

Part	Material
Body	Brass - CW617N
End Connection	Brass - CW617N
Ball	Chrome Plated Brass - CW617N
Seat (2)	Virgin PTFE
Stem	Brass - CW614N
Packing	Virgin PTFE
Stem O-ring (2)	Viton®
Packing Gland	Brass - CW614N
Handle	Steel - Geomet® Plated
Handle Nut	Steel - Geomet® Plated
Metering Plate	Aluminum
Memory Stop	Brass - CW617N
Memory Stop Screw	Steel - Geomet® Plated
Union O-ring	Viton®
Tail Piece	Brass - CW617N
Union Nut	Brass - CW617N
Venturi	Brass - CW614N
Venturi O-ring	Viton®

Dimensions

Size	A*	B	C	D
1/2"	4.56	1.57	2.95	0.59
3/4"	4.88	1.57	2.95	0.59
1"	5.65	1.93	3.74	0.79
1-1/4"	7.00	2.44	4.72	0.98
1-1/2"	7.81	2.64	4.72	1.26
2"	9.19	3.29	5.91	1.58

*Length is for a SWT x MNPT valve, additional dimensions available upon request



WARNING: This product can expose you to chemicals including lead, which is known to the State of California to cause cancer, and lead, which is known to the State of California to cause birth defects or other reproductive harm. For more information go to www.P65Warnings.ca.gov.

Pressure Drop Chart

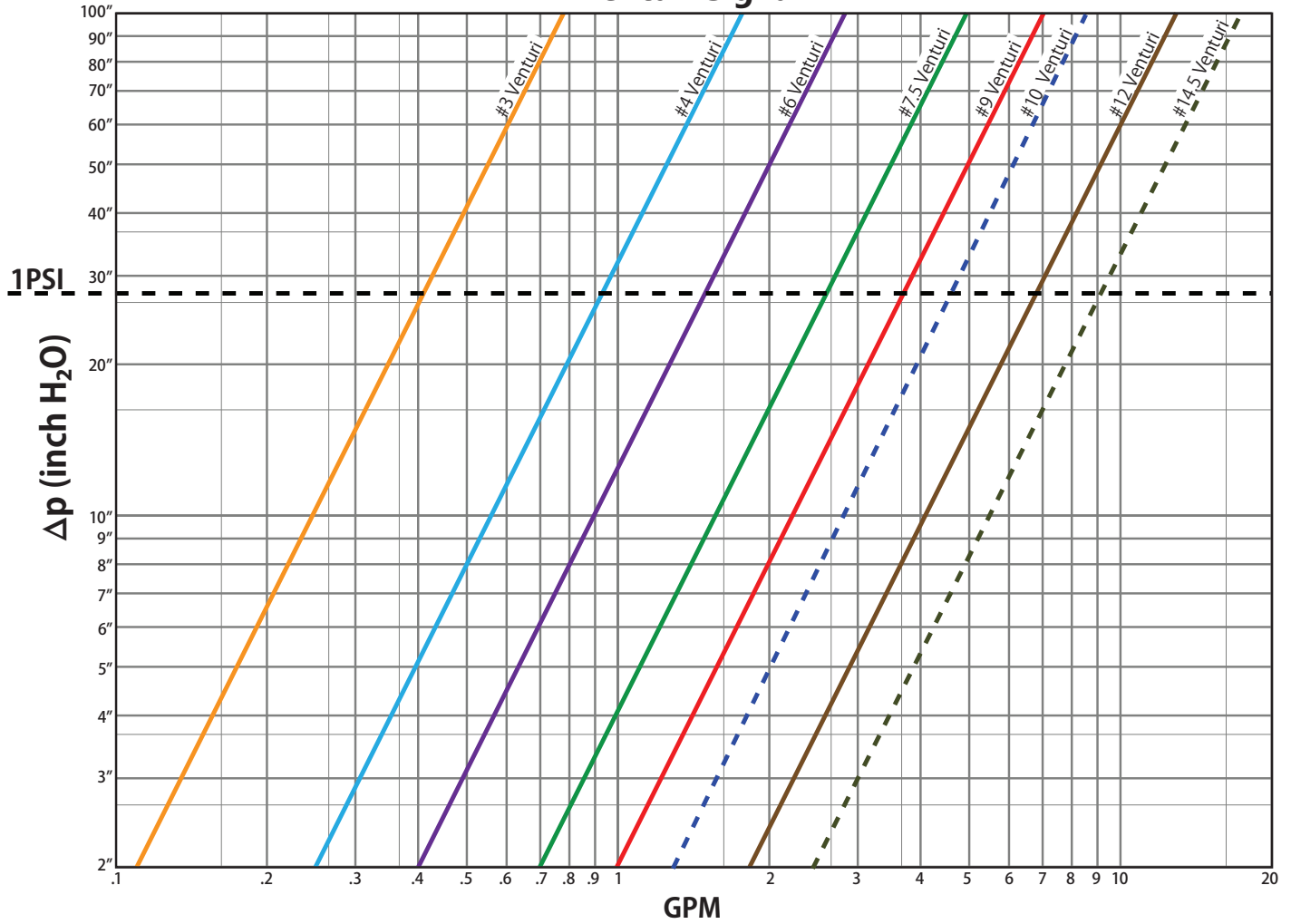


Terminator B (1/2" - 1")

CV of Valves

- #3 Venturi: **0.44**
- #4 Venturi: **1.30**
- #6 Venturi: **2.65**
- #7.5 Venturi: **3.61**
- #9 Venturi: **7.05**
- #12 Venturi: **11.40**
- #10 Venturi: **7.05**
- #14.5 Venturi: **17.6**

Venturi Signal



Pressure Drop Chart



Terminator B (1-1/4" - 2")

CV of Valves

- 1-1/4" w/ #13 Venturi: **15.0**
- 1-1/4" w/ #19 Venturi: **34.0**
- 1-1/2" w/ #15 Venturi: **20.9**
- 1-1/2" w/ #22 Venturi: **57.0**
- 2" w/ #18 Venturi: **30.8**
- 2" w/ #25 Venturi: **57.0**
- 2" w/ #32 Venturi: **88.0**

Venturi Signal

